

4 FLANGED THERMOWELLS > 4.1 GENERAL USE

4.1.1

TA-BRS-1

Material

- Stainless steels in all its forms: AISI-316, AISI-304, AISI-321, AISI-904-L, AISI-318, etc...
- Refractory steels: AISI-310 AISI-446, etc...
- Resistance heating Alloys: Alloy 600, Alloy 601, Alloy 625, Alloy 800, Alloy 825, etc...
- Resistance corrosion Alloys: Alloy C-276, Alloy C-22, Alloy C-4, Alloy 400, Alloy K-500, Alloy 200, Alloy 201, etc...
- Other materials: Titanium, Tantalum (sheath), Zirconium, Aluminium, Brass, Carbon steels, technical plastics, etc...
- Special coverings: chromed, Teflon®, stellite, Halar®, Rubired®, etc...

Connexion to process

- Flange
- Nominal Diameter: DIN or ASA
- Rating: DIN or ASA

Connexion to instrument

- Female thread BSP, NPT, METRIC, etc...

Internal diameter

- Standard: Ø7 mm, Ø9 mm, Ø11 mm, Ø12.2 mm.
- Others.

U insertion length (mm)

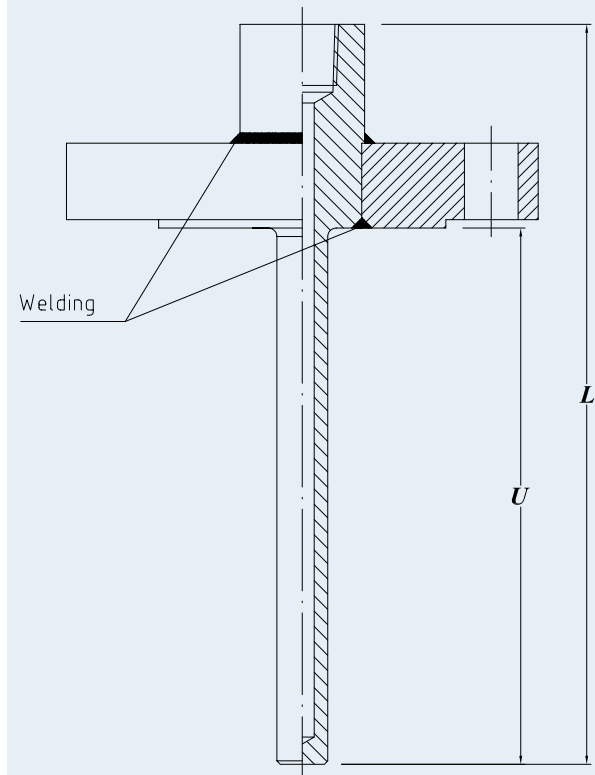
- Standard: 50, 100, 150, 200, 250, 300, 350, 400, 500.
- Others.

Maximum process temperature

- Depending on material properties and design.

Maximal process pressure

- Depending on material properties and design.



4 FLANGED THERMOWELLS > 4.1 GENERAL USE

4.1.2

TA-BRS-2

Material

- Stainless steels in all its forms: AISI-316, AISI-304, AISI-321, AISI-904-L, AISI-318, etc...
- Refractory steels: AISI-310 AISI-446, etc...
- Resistance heating Alloys: Alloy 600, Alloy 601, Alloy 625, Alloy 800, Alloy 825, etc...
- Resistance corrosion Alloys: Alloy C-276, Alloy C-22, Alloy C-4, Alloy 400, Alloy K-500, Alloy 200, Alloy 201, etc...
- Other materials: Titanium, Tantalum (sheath), Zirconium, Aluminium, Brass, Carbon steels, technical plastics, etc...
- Special coverings: chromed, Teflon®, stellite, Halar®, Rubired®, etc...

Connexion to process

- Flange
- Nominal Diameter: DIN or ASA
- Rating: DIN or ASA

Connexion to instrument

- Female thread BSP, NPT, METRIC, etc...

Internal diameter

- Standard: Ø7 mm, Ø9 mm, Ø11 mm, Ø12.2 mm.
- Others.

U insertion length (mm)

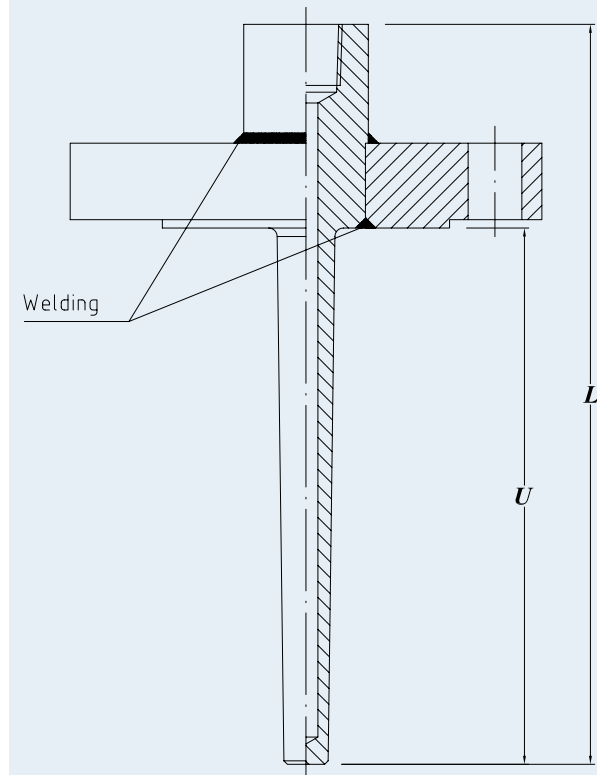
- Standard: 50, 100, 150, 200, 250, 300, 350, 400, 500.
- Others.

Maximum process temperature

- Depending on material properties and design.

Maximal process pressure

- Depending on material properties and design.



4 FLANGED THERMOWELLS > 4.1 GENERAL USE

4.1.3

TA-BRS-3

Material

- Stainless steels in all its forms: AISI-316, AISI-304, AISI-321, AISI-904-L, AISI-318, etc...
- Refractory steels: AISI-310 AISI-446, etc...
- Resistance heating Alloys: Alloy 600, Alloy 601, Alloy 625, Alloy 800, Alloy 825, etc...
- Resistance corrosion Alloys: Alloy C-276, Alloy C-22, Alloy C-4, Alloy 400, Alloy K-500, Alloy 200, Alloy 201, etc...
- Other materials: Titanium, Tantalum (sheath), Zirconium, Aluminium, Brass, Carbon steels, technical plastics, etc...
- Special coverings: chromed, Teflon®, stellite, Halar®, Rubired®, etc...

Connexion to process

- Flange
- Nominal Diameter: DIN or ASA
- Rating: DIN or ASA

Connexion to instrument

- Female thread BSP, NPT, METRIC, etc...

Internal diameter

- Standard: Ø7 mm, Ø9 mm, Ø11 mm, Ø12.2 mm.
- Others.

U insertion length (mm)

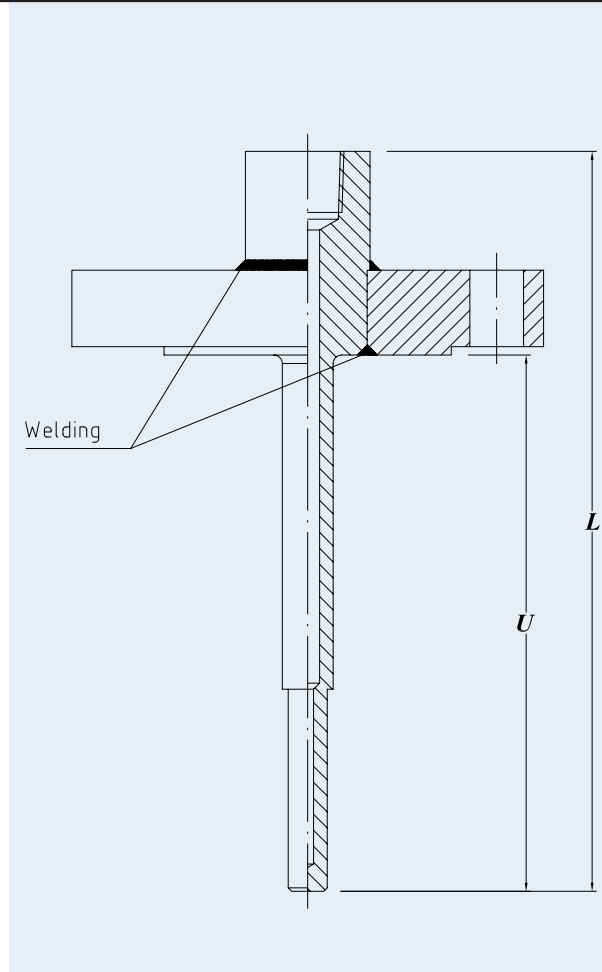
- Standard: 50, 100, 150, 200, 250, 300, 350, 400, 500.
- Others.

Maximum process temperature

- Depending on material properties and design.

Maximal process pressure

- Depending on material properties and design.



4 FLANGED THERMOWELLS > 4.1 GENERAL USE

4.1.4

TA-BRS-4

Material

- Stainless steels in all its forms: AISI-316, AISI-304, AISI-321, AISI-904-L, AISI-318, etc...
- Refractory steels: AISI-310 AISI-446, etc...
- Resistance heating Alloys: Alloy 600, Alloy 601, Alloy 625, Alloy 800, Alloy 825, etc...
- Resistance corrosion Alloys: Alloy C-276, Alloy C-22, Alloy C-4, Alloy 400, Alloy K-500, Alloy 200, Alloy 201, etc...
- Other materials: Titanium, Tantalum (sheath), Zirconium, Aluminium, Brass, Carbon steels, technical plastics, etc...
- Special coverings: chromed, Teflon®, stellite, Halar®, Rubired®, etc...

Connexion to process

- Flange
- Nominal Diameter: DIN or ASA
- Rating: DIN or ASA

Connexion to instrument

- Female thread BSP, NPT, METRIC, etc...

Internal diameter

- Standard: Ø7 mm, Ø9 mm, Ø11 mm, Ø12.2 mm.
- Others.

U insertion length (mm)

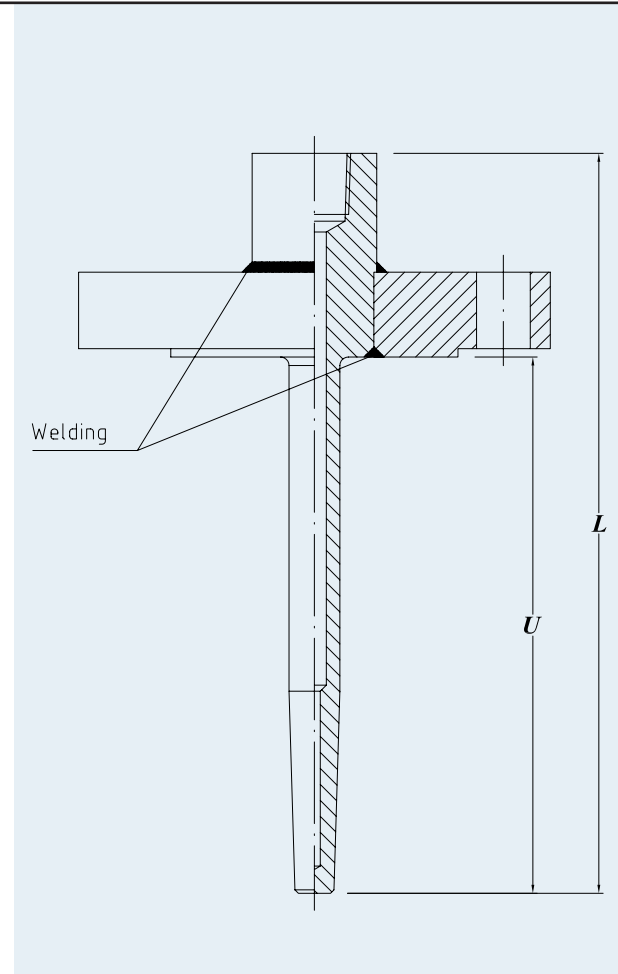
- Standard: 50, 100, 150, 200, 250, 300, 350, 400, 500.
- Others.

Maximum process temperature

- Depending on material properties and design.

Maximal process pressure

- Depending on material properties and design.



4 FLANGED THERMOWELLS > 4.1 GENERAL USE

4.1.5

TA-PRS

Material

- Stainless steels in all its forms: AISI-316, AISI-304, AISI-321, AISI-904-L, AISI-318, etc...
- Refractory steels: AISI-310 AISI-446, etc...
- Resistance heating Alloys: Alloy 600, Alloy 601, Alloy 625, Alloy 800, Alloy 825, Kanthal®, etc...
- Resistance corrosion Alloys: Alloy C-276, Alloy C-22, Alloy C-4, Alloy 400, Alloy K-500, Alloy 200, Alloy 201, etc...
- Other materials: Titanium, Tantalum (sheath), Zirconium, Aluminium, Brass, Carbon steels, technical plastics, etc...
- Special coverings: chromed, Teflon®, stellite, Halar®, Rubired®, etc...

Connexion to process

- Flange
- Nominal Diameter: DIN or ASA
- Rating: DIN or ASA

Connexion to instrument

- Female thread BSP, NPT, METRIC, etc...

Internal diameter

- Standard tube: $\varnothing 10 \times 1$ mm, $\varnothing 12 \times 1$ mm.
- Others.

U insertion length (mm)

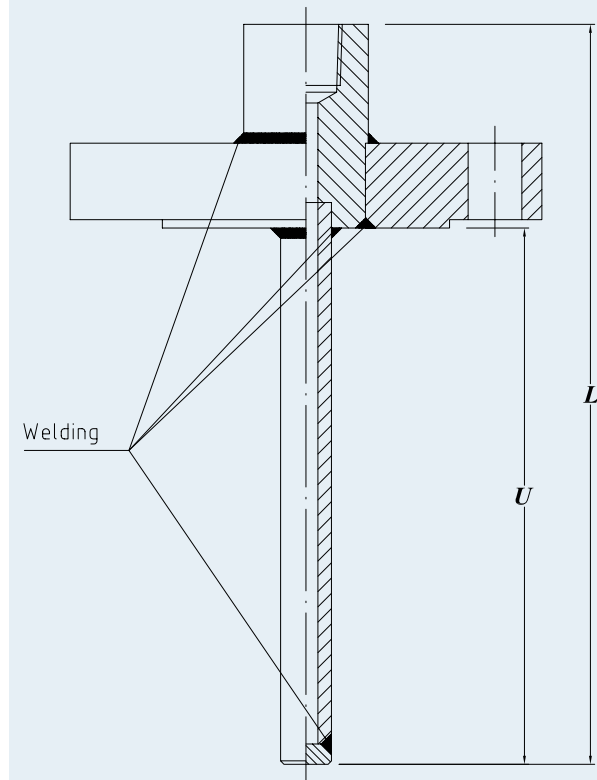
- Standard: 50, 100, 150, 200, 250, 300, 350, 400, 500.
- Others.

Maximum process temperature

- Depending on material properties and design.

Maximal process pressure

- Depending on material properties and design.



4 FLANGED THERMOWELLS > 4.2 EXTREME CONDITIONS

4.2.1

TA-BRU-1

Material

- Stainless steels in all its forms: AISI-316, AISI-304, AISI-321, AISI-904-L, AISI-318, etc...
- Refractory steels: AISI-310 AISI-446, etc...
- Resistance heating Alloys: Alloy 600, Alloy 601, Alloy 625, Alloy 800, Alloy 825, etc...
- Resistance corrosion Alloys: Alloy C-276, Alloy C-22, Alloy C-4, Alloy 400, Alloy K-500, Alloy 200, Alloy 201, etc...
- Other materials: Titanium, Tantalum (sheath), Zirconium, Aluminium, Brass, Carbon steels, technical plastics, etc...
- β Special coverings: chromed, Teflon®, stellite, Halar®, Rubired®, etc...

Connexion to process

- Flange
- Nominal Diameter: DIN or ASA
- Rating: DIN or ASA

Connexion to instrument

- Female thread BSP, NPT, METRIC, etc...

Internal diameter

- Standard: $\varnothing 7$ mm, $\varnothing 9$ mm, $\varnothing 11$ mm, $\varnothing 12.2$ mm.
- Others.

U insertion length (mm)

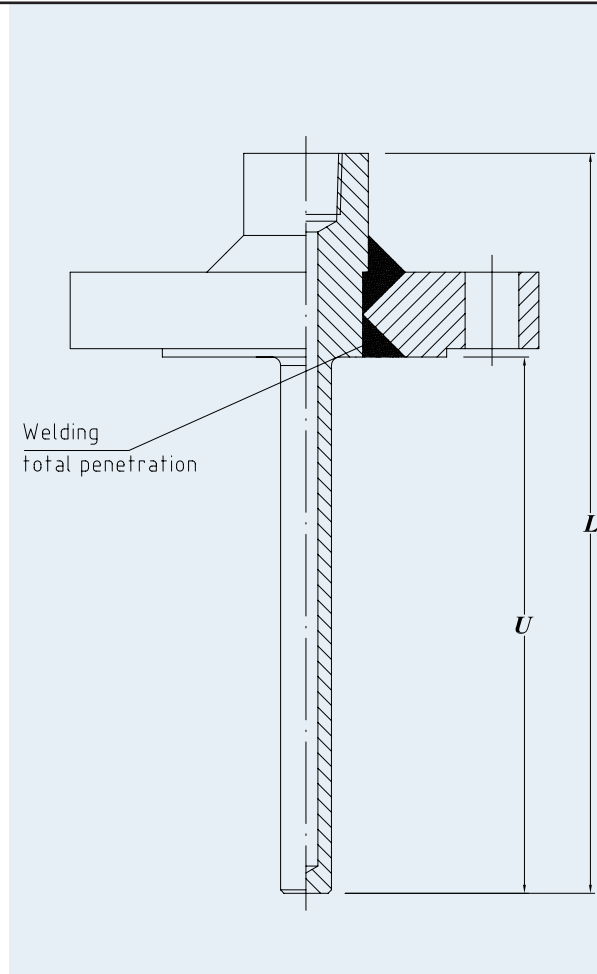
- Standard: 50, 100, 150, 200, 250, 300, 350, 400, 500.
- Others.

Maximum process temperature

- Depending on material properties and design.

Maximal process pressure

- Depending on material properties and design.



4 FLANGED THERMOWELLS > 4.2 EXTREME CONDITIONS

4.2.2

TA-BRU-2

Material

- Stainless steels in all its forms: AISI-316, AISI-304, AISI-321, AISI-904-L, AISI-318, etc...
- Refractory steels: AISI-310 AISI-446, etc...
- Resistance heating Alloys: Alloy 600, Alloy 601, Alloy 625, Alloy 800, Alloy 825, etc...
- Resistance corrosion Alloys: Alloy C-276, Alloy C-22, Alloy C-4, Alloy 400, Alloy K-500, Alloy 200, Alloy 201, etc...
- Other materials: Titanium, Tantalum (sheath), Zirconium, Aluminium, Brass, Carbon steels, technical plastics, etc...
- Special coverings: chromed, Teflon®, stellite, Halar®, Rubired®, etc...

Connexion to process

- Flange
- Nominal Diameter: DIN or ASA
- Rating: DIN or ASA

Connexion to instrument

- Female thread BSP, NPT, METRIC, etc...

Internal diameter

- Standard: Ø7 mm, Ø9 mm, Ø11 mm, Ø12.2 mm.
- Others.

U insertion length (mm)

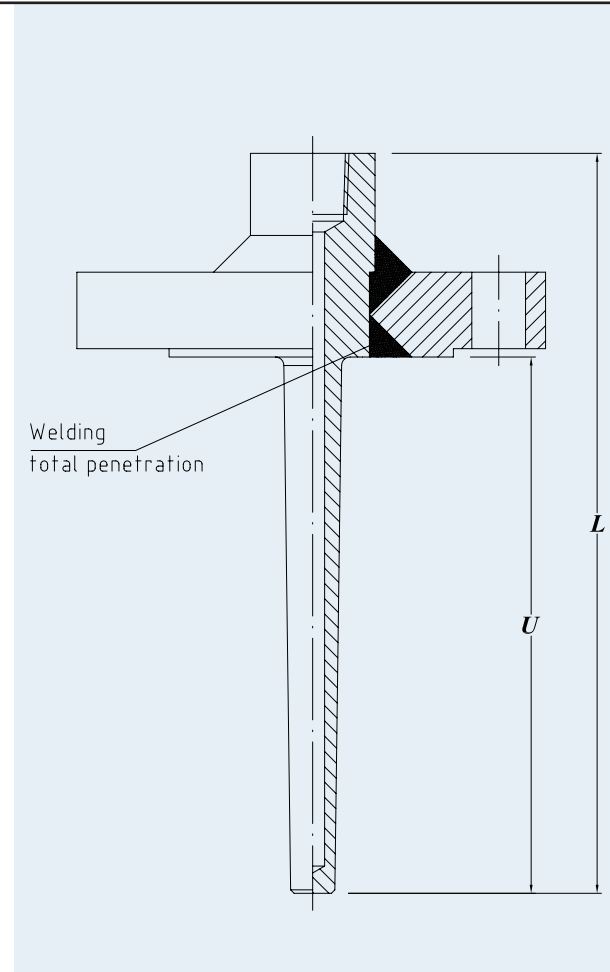
- Standard: 50, 100, 150, 200, 250, 300, 350, 400, 500.
- Others.

Maximum process temperature

- Depending on material properties and design.

Maximal process pressure

- Depending on material properties and design.



4 FLANGED THERMOWELLS > 4.2 EXTREME CONDITIONS

4.2.3

TA-BRU-3

Material

- Stainless steels in all its forms: AISI-316, AISI-304, AISI-321, AISI-904-L, AISI-318, etc...
- Refractory steels: AISI-310 AISI-446, etc...
- Resistance heating Alloys: Alloy 600, Alloy 601, Alloy 625, Alloy 800, Alloy 825, etc...
- Resistance corrosion Alloys: Alloy C-276, Alloy C-22, Alloy C-4, Alloy 400, Alloy K-500, Alloy 200, Alloy 201 , etc...
- Other materials: Titanium, Tantalum (sheath), Zirconium, Aluminium , Brass, Carbon steels, technical plastics, etc...
- Special coverings: chromed, Teflon®, stellite, Halar®, Rubired®, etc...

Connexion to process

- Flange
- Nominal Diameter: DIN or ASA
- Rating: DIN or ASA

Connexion to instrument

- Female thread BSP, NPT, METRIC, etc...

Internal diameter

- Standard: Ø7 mm, Ø9 mm, Ø11 mm, Ø12.2 mm.
- Others.

U insertion length (mm)

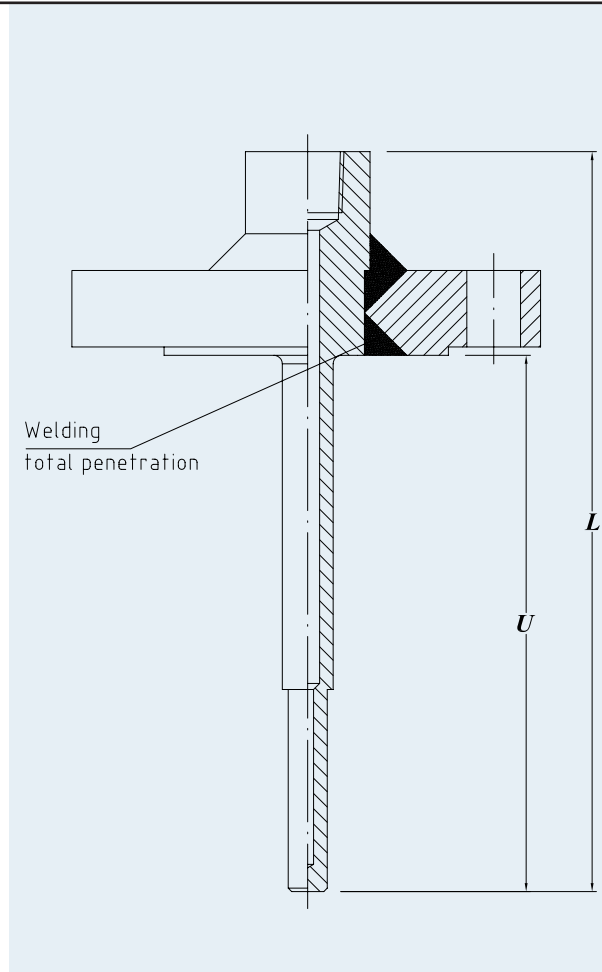
- Standard: 50, 100, 150, 200, 250, 300, 350, 400, 500.
- Others.

Maximum process temperature

- Depending on material properties and design.

Maximal process pressure

- Depending on material properties and design.



4 FLANGED THERMOWELLS > 4.2 EXTREME CONDITIONS

4.2.4

TA-BRU-4

Material

- Stainless steels in all its forms: AISI-316, AISI-304, AISI-321, AISI-904-L, AISI-318, etc...
- Refractory steels: AISI-310 AISI-446, etc...
- Resistance heating Alloys: Alloy 600, Alloy 601, Alloy 625, Alloy 800, Alloy 825, etc...
- Resistance corrosion Alloys: Alloy C-276, Alloy C-22, Alloy C-4, Alloy 400, Alloy K-500, Alloy 200, Alloy 201 , etc...
- Other materials: Titanium, Tantalum (sheath), Zirconium, Aluminium , Brass, Carbon steels, technical plastics, etc...
- Special coverings: chromed, Teflon®, stellite, Halar®, Rubired®, etc...

Connexion to process

- Flange
- Nominal Diameter: DIN or ASA
- Rating: DIN or ASA

Connexion to instrument

- Female thread BSP, NPT, METRIC, etc...

Internal diameter

- Standard: Ø7 mm, Ø9 mm, Ø11 mm, Ø12.2 mm.
- Others.

U insertion length (mm)

- Standard: 50, 100, 150, 200, 250, 300, 350, 400, 500.
- Others.

Maximum process temperature

- Depending on material properties and design.

Maximal process pressure

- Depending on material properties and design.

