

3 THREADED THERMOWELLS > 3.1 GENERAL USE

3.1.1

TA-BHW-1

Material

- Stainless steels in all its forms: AISI-316, AISI-304, AISI-321, AISI-904-L, AISI-318, etc...
- Refractory steels: AISI-310 AISI-446, etc...
- Resistance heating Alloys: Alloy 600, Alloy 601, Alloy 625, Alloy 800, Alloy 825, etc...
- Resistance corrosion Alloys: Alloy C-276, Alloy C-22, Alloy C-4, Alloy 400, Alloy K-500, Alloy 200, Alloy 201, etc...
- Other materials: Titanium, Tantalum, Zirconium, Aluminium, Brass, Carbon steels, technical plastics, etc...
- Special coverings: chromed, Teflon®, stellite, Halar®, Rubired®, etc...

Connexion to process

- Male thread BSP, NPT, METRIC, etc...

Connexion to instrument

- Female thread BSP, NPT, METRIC, etc...

Internal diameter

- Standard: Ø7 mm, Ø9 mm, Ø11 mm, Ø12.2 mm.
- Others.

U insertion length (mm)

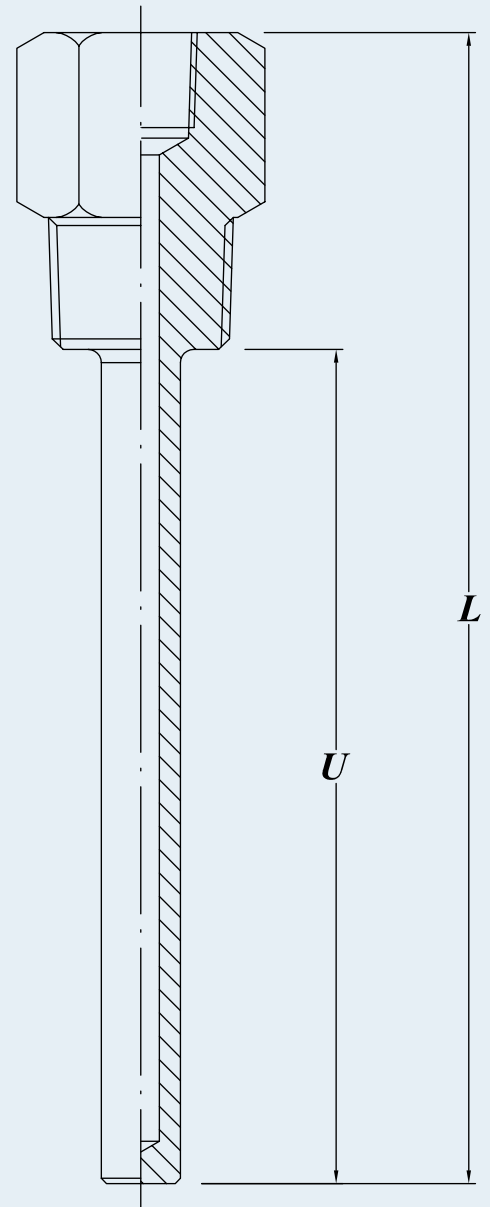
- Standard: 50, 100, 150, 200, 250, 300, 350, 400, 500.
- Others.

Maximum process temperature

- Depending on material properties and design.

Maximal process pressure

- Depending on material properties and design.



THREADED THERMOWELLS > 3.1 GENERAL USE

3.1.2

TA-BHW-2

Material

- Stainless steels in all its forms: AISI-316, AISI-304, AISI-321, AISI-904-L, AISI-318, etc...
- Refractory steels: AISI-310 AISI-446, etc...
- Resistance heating Alloys: Alloy 600, Alloy 601, Alloy 625, Alloy 800, Alloy 825, etc...
- Resistance corrosion Alloys: Alloy C-276, Alloy C-22, Alloy C-4, Alloy 400, Alloy K-500, Alloy 200, Alloy 201, etc...
- Other materials: Titanium, Tantalum, Zirconium, Aluminium, Brass, Carbon steels, technical plastics, etc...
- Special coverings: chromed, Teflon®, stellite®, Halar®, Rubired®, etc...

Connexion to process

- Male thread BSP, NPT, METRIC, etc...

Connexion to instrument

- Female thread BSP, NPT, METRIC, etc...

Internal diameter

- Standard: Ø7 mm, Ø9 mm, Ø11 mm, Ø12.2 mm.
- Others.

U insertion length (mm)

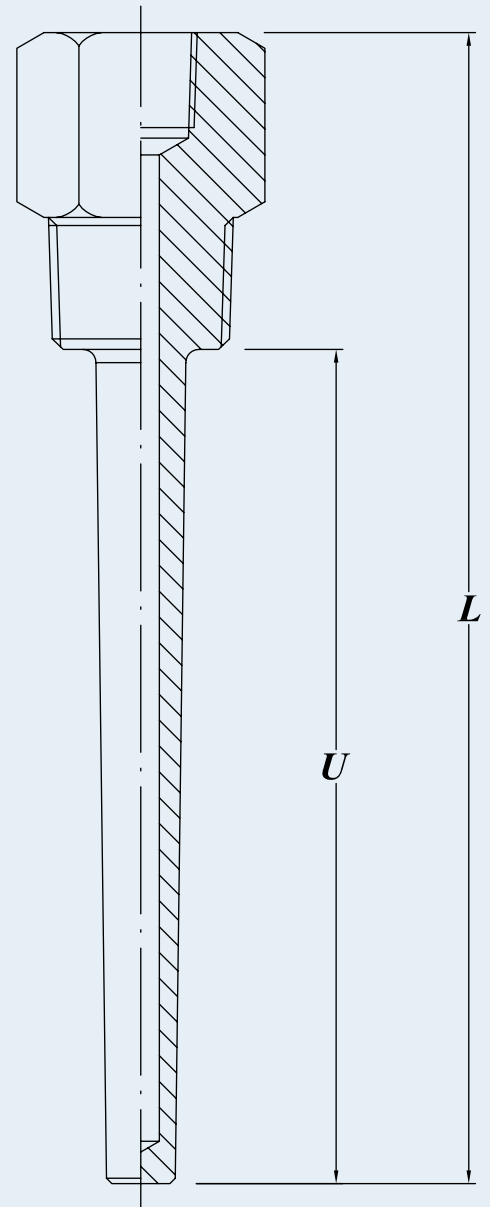
- Standard: 50, 100, 150, 200, 250, 300, 350, 400, 500.
- Others.

Maximum process temperature

- Depending on material properties and design.

Maximal process pressure

- Depending on material properties and design.



3 THREADED THERMOWELLS > 3.1 GENERAL USE

3.1.3

TA-BHW-3

Material

- Stainless steels in all its forms: AISI-316, AISI-304, AISI-321, AISI-904-L, AISI-318, etc...
- Refractory steels: AISI-310 AISI-446, etc...
- Resistance heating Alloys: Alloy 600, Alloy 601, Alloy 625, Alloy 800, Alloy 825, etc...
- Resistance corrosion Alloys: Alloy C-276, Alloy C-22, Alloy C-4, Alloy 400, Alloy K-500, Alloy 200, Alloy 201, etc...
- Other materials: Titanium, Tantalum, Zirconium, Aluminium, Brass, Carbon steels, technical plastics, etc...
- Special coverings: chromed, Teflon®, stellite, Halar®, Rubired®, etc...

Connexion to process

- Male thread BSP, NPT, METRIC, etc...

Connexion to instrument

- Female thread BSP, NPT, METRIC, etc...

Internal diameter

- Standard: Ø7 mm, Ø9 mm, Ø11 mm, Ø12.2 mm.
- Others.

U insertion length (mm)

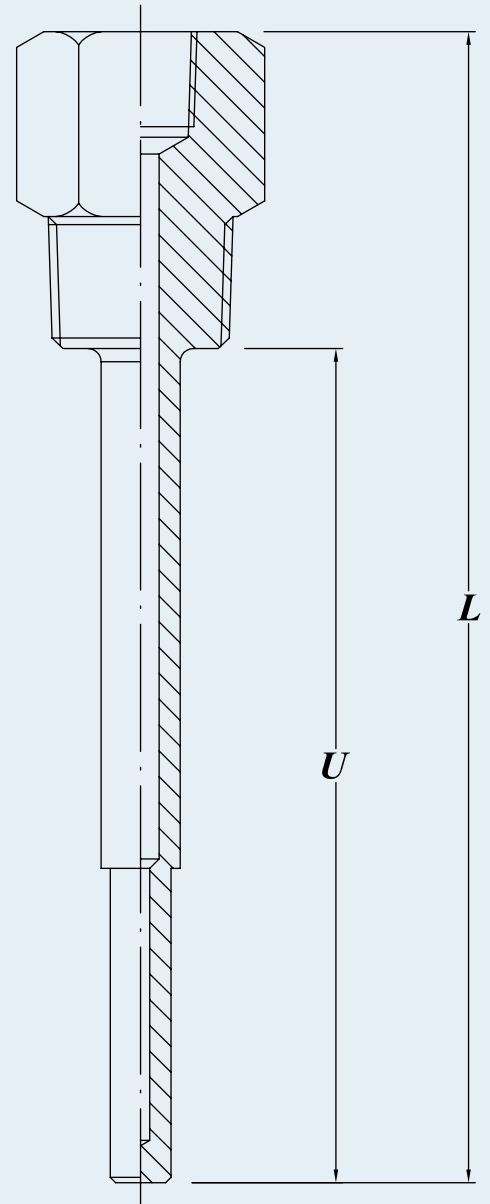
- Standard: 50, 100, 150, 200, 250, 300, 350, 400, 500.
- Others.

Maximum process temperature

- Depending on material properties and design.

Maximal process pressure

- Depending on material properties and design.



3 THREADED THERMOWELLS > 3.1 GENERAL USE

3.1.4

TA-BHW-4

Material

- Stainless steels in all its forms: AISI-316, AISI-304, AISI-321, AISI-904-L, AISI-318, etc...
- Refractory steels: AISI-310 AISI-446, etc...
- Resistance heating Alloys: Alloy 600, Alloy 601, Alloy 625, Alloy 800, Alloy 825, etc...
- Resistance corrosion Alloys: Alloy C-276, Alloy C-22, Alloy C-4, Alloy 400, Alloy K-500, Alloy 200, Alloy 201, etc...
- Other materials: Titanium, Tantalum, Zirconium, Aluminium, Brass, Carbon steels, technical plastics, etc...
- Special coverings: chromed, Teflon®, stellite, Halar®, Rubired®, etc...

Connexion to process

- Male thread BSP, NPT, METRIC, etc...

Connexion to instrument

- Female thread BSP, NPT, METRIC, etc...

Internal diameter

- Standard: Ø7 mm, Ø9 mm, Ø11 mm, Ø12.2 mm.
- Others.

U insertion length (mm)

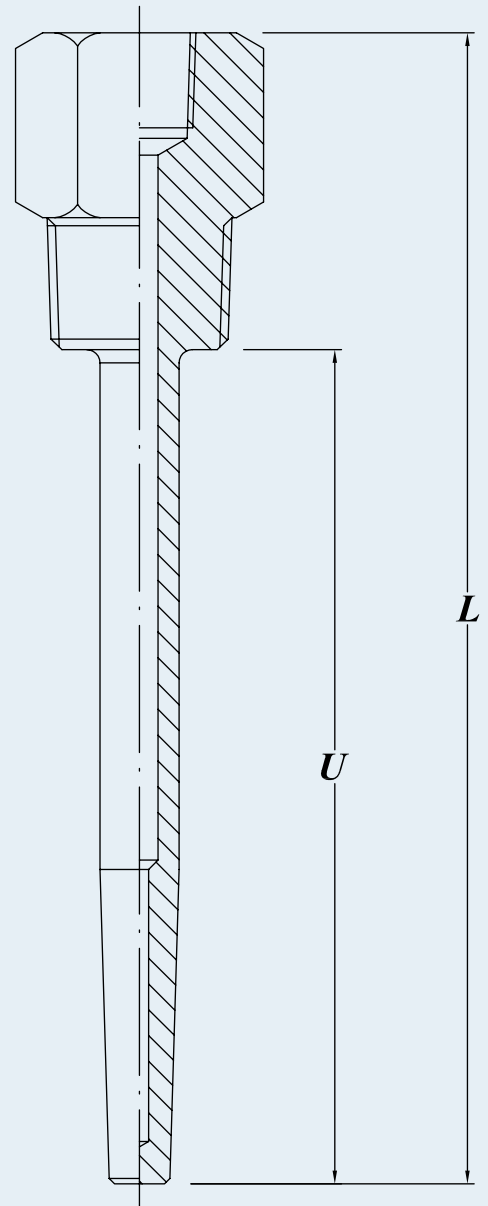
- Standard: 50, 100, 150, 200, 250, 300, 350, 400, 500.
- Others.

Maximum process temperature

- Depending on material properties and design.

Maximal process pressure

- Depending on material properties and design.



3 THREADED THERMOWELLS > 3.2 USE FOR THERMOMETERS

3.2.1

TA-PHW

Material

- Stainless steels in all its forms: AISI-316, AISI-304, AISI-321, AISI-904-L, AISI-318, etc...
- Refractory steels: AISI-310 AISI-446, etc...
- Resistance heating Alloys: Alloy 600, Alloy 601, Alloy 625, Alloy 800, Alloy 825, Kanthal®, etc...
- Resistance corrosion Alloys: Alloy C-276, Alloy C-22, Alloy C-4, Alloy 400, Alloy K-500, Alloy 200, Alloy 201, etc...
- Other materials: Titanium, Tantalum, Zirconium, Aluminium, Brass, Carbon steels, technical plastics, etc...
- Special Coverings: chromed, Teflon®, stellite, Halar®, Rubired®, etc...

Connexion to process

- Male thread BSP, NPT, METRIC, etc...

Connexion to instrument

- Female thread BSP, NPT, METRIC, etc...

Internal diameter

- Standard tube: Ø10x1 mm, Ø12x1 mm.
- Others.

U insertion length (mm)

- Standard: 50, 100, 150, 200, 250, 300, 350, 400, 500.
- Others.

Maximum process temperature

- Depending on material properties and design.

Maximal process pressure

- Depending on material properties and design.

